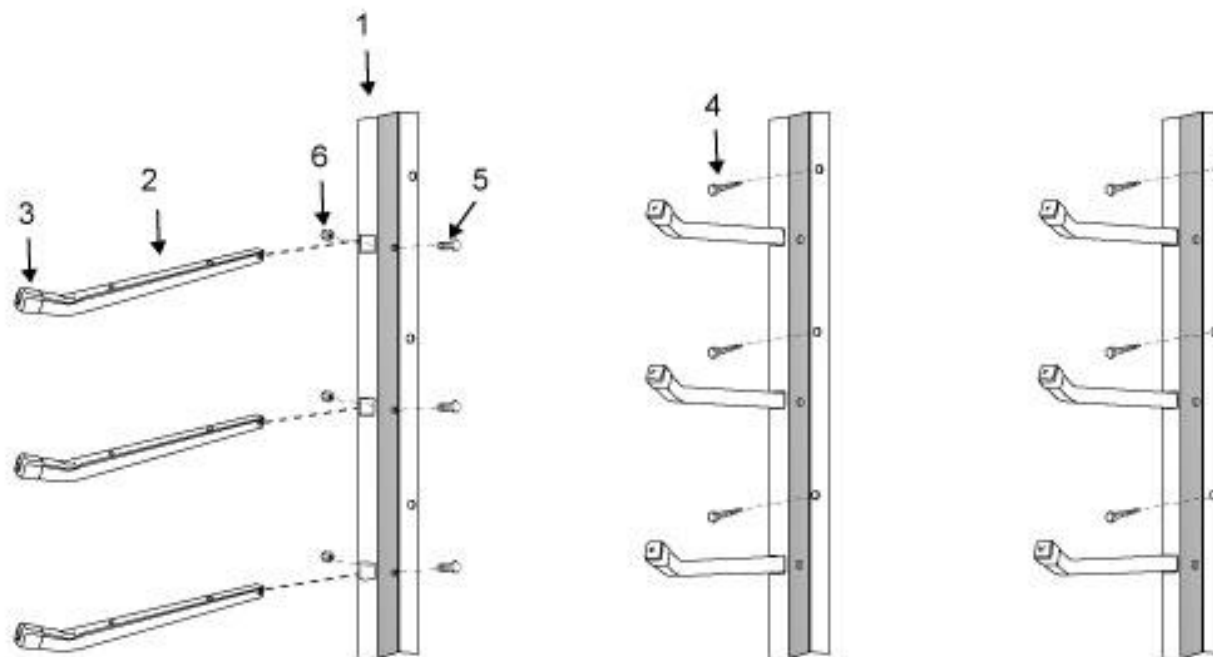
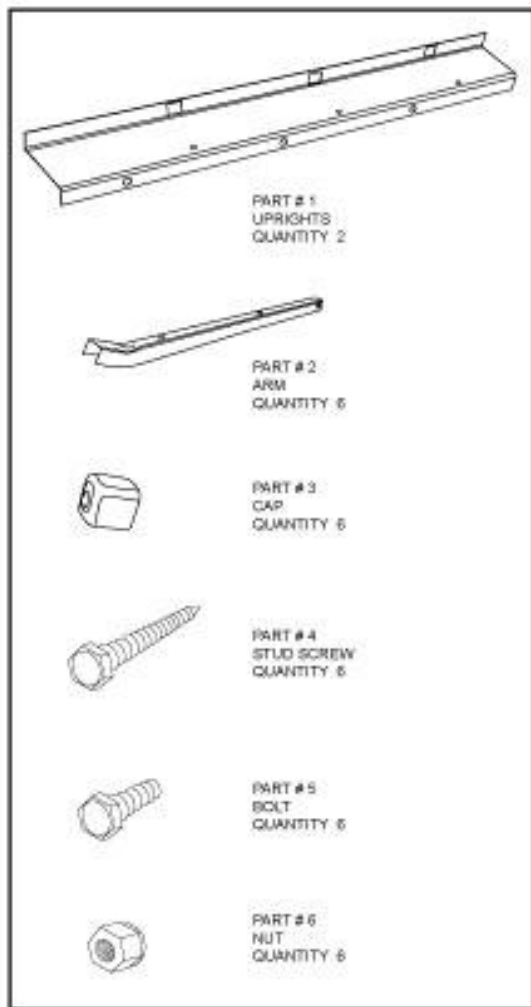
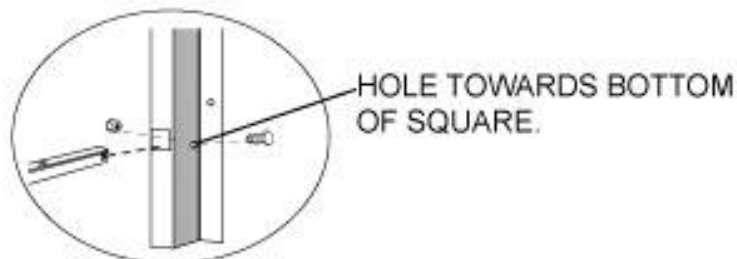




PLM-1R Multi Rack



STEP 1: FASTEN PART #2 TO PART #1 USING PART #5 AND #6 BOLTS AND NUTS. REPEAT FOR EACH ARM.



STEP 2: FASTEN UPRIGHTS TO WALL STUD USING STUD SCREW #4, BEFORE FASTENING CONFIRM BRACKETS ARE LEVELED. WHEN FASTENED TO WALL, ARMS ANGLE UPWARD.

STEP 3: ATTACH SHELVES TO HOLES ON THE ARMS (OPTIONAL).

Racor Inc.
955 National Parkway
Suite 95500
Schaumburg, IL 60173
800-783-7725
www.racorinc.com

