

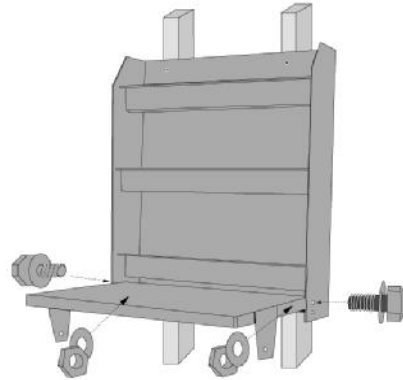


AWS-1R Folding Workstation

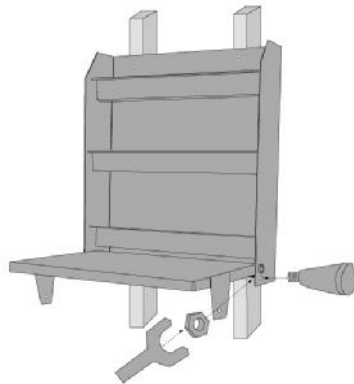
Racor, Inc. goes to great lengths to ensure that the product you receive is of the highest quality. If upon inspection of the components you notice damaged or defective parts call 800-783-7725 or email info@racorinc.com for replacements.



(A) Locate studs on 16" centers and attach with two wood screws provided



(B) Attach folding table to shelf unit with screws and spacers



(C) Attach locking handle



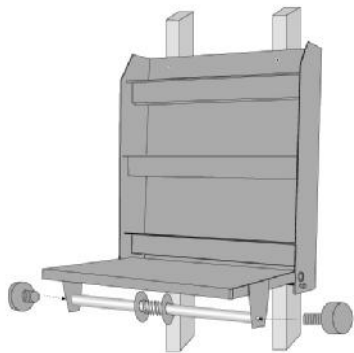
(D) Slide large washer over paper towel bar



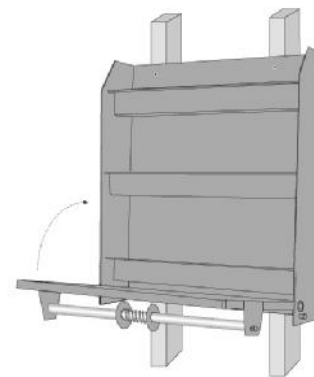
(E) Slide spring on to bar



(F) Slide second washer over bar then place two paper towel rolls on either side of washers



(G) Attach bar with two large knobs



(H) Fold up to check clearance and lock in place

Weight not to exceed 75 lbs

Racor, Incorporated shall not be held liable, and the customer, retailer or installer releases Racor, Inc. of all claims for personal injury or damage to possessions as a result of improper installation or product failure as a result of overloading, unintended use, product modification, poor quality of mount surface, or other abuses of the product.

Racor, Inc.
800-783-7725
www.racorinc.com