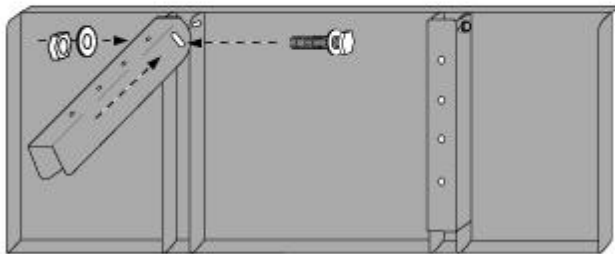


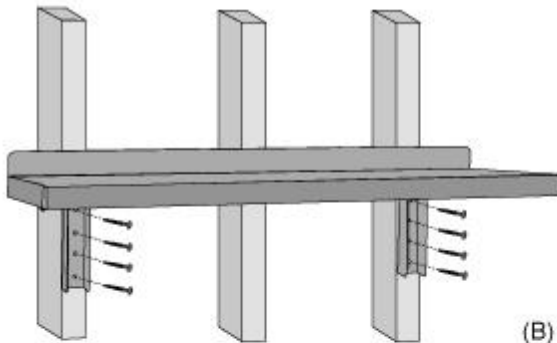


AWB-1R Folding Work Bench

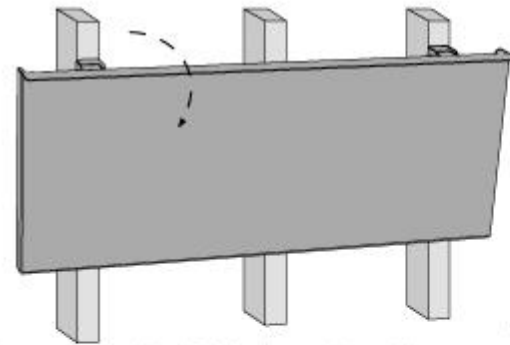
Racor, Inc. goes to great lengths to ensure that the product you receive is of the highest quality. If upon inspection of the components you notice damaged or defective parts call 800-783-7725 or email info@racorinc.com for replacements.



(A) Attach brackets to the bottom of the table using bolt, washer and nut as shown in step A.



(B)



(C)

Locate wall studs on 32" centers, Level and attach with eight screws provided. Table is positioned by raising then pushing in to place. Lower by pulling table outer edge and folding down. Weight not to exceed 75 lbs

Racor, Incorporated shall not be held liable, and the customer, retailer or installer releases Racor, Inc. of all claims for personal injury or damage to possessions as a result of improper installation or product failure as a result of overloading, unintended use, product modification, poor quality of mount surface, or other abuses of the product.

Racor, Inc.
800-783-7725
www.racorinc.com