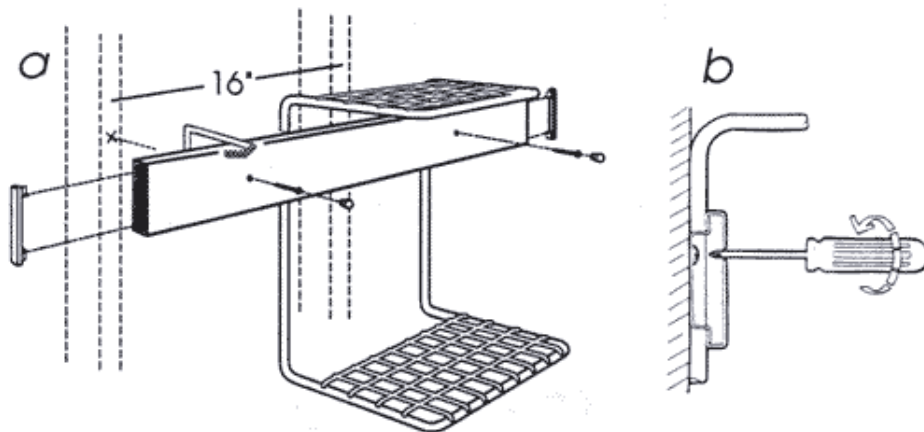


1 Installing Mounting Hardware

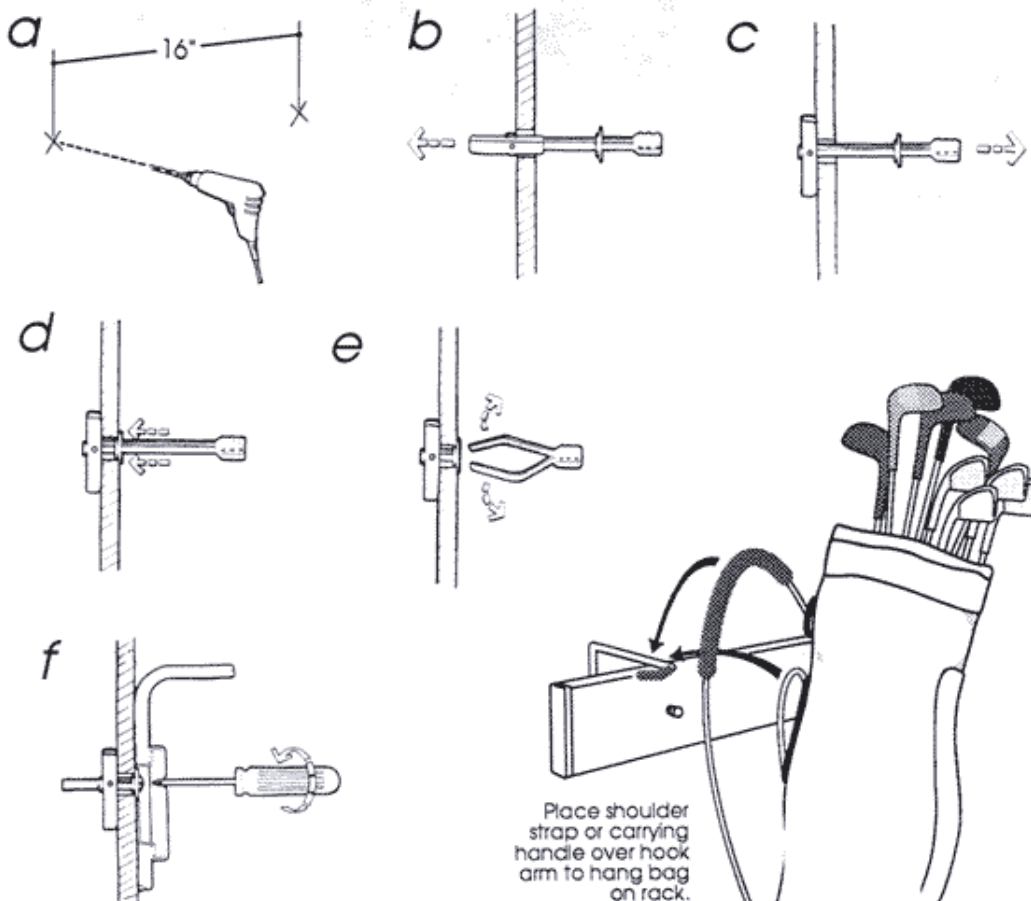
- Wood screws are the preferred mounting hardware. One or both wood screws **must** be screwed into vertical studs inside the wall. Be sure that wood screws are 16" apart and horizontally level. For best results, pre-drill small pilot holes before installing wood screws.
- Align the holes on back of rack with pre-drilled pilot holes and insert screws. With a Phillips screwdriver tighten the screws **firmly** through the two holes located on the front of channel. This will lock the rack to the wall. After rack has been securely fastened, snap hole plugs in place.



2

If one or no studs are located then use the mounting toggles provided.

- Drill two 1/2" holes, as needed for toggle(s). Be sure that holes are 16" apart and horizontally level.
- Push toggle(s) through holes and grasp strap end firmly.
- Pull toggle(s) snugly against inside wall.
- Slide washer evenly along straps until washer is forced firmly against wall.
- Snap off plastic straps flush with washer.
- With rack in place, insert screws through holes and engage toggle threads. With a Phillips screwdriver tighten the screws **firmly** through the two holes located on the front of channel. This will lock the rack to the wall. After rack has been securely fastened, snap hole plugs into place.



***Important:** Weight limit not to exceed 80 lbs. per side.