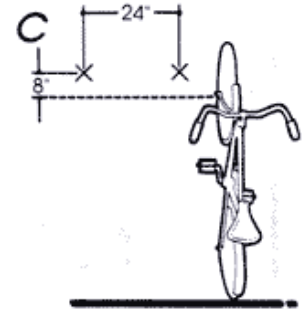
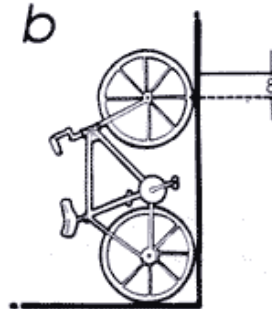


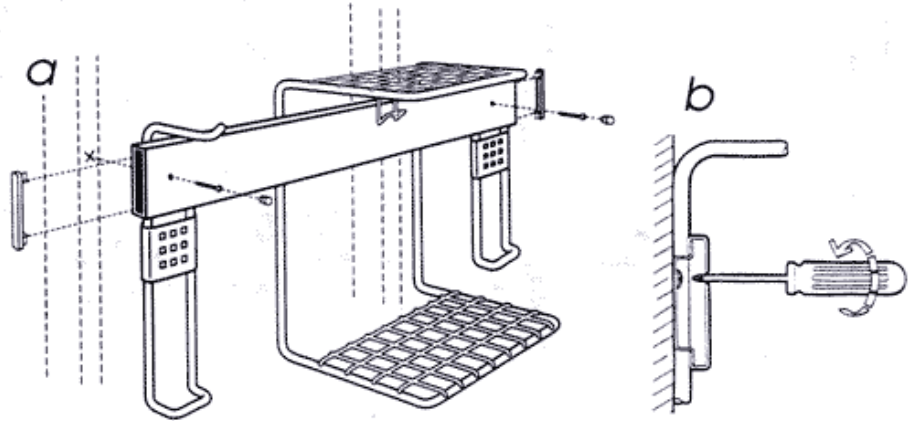
1 Determine How High To Mount Your Racor Bicycle Rack

- Select your longest bike to be stored. Stand bike on rear tire with both tires against the wall.
- Mark wall where front (top) tire touches wall.
- Mounting hardware must be installed eight (8) inches or more above the front tire mark on wall to allow rear tire to clear ground.



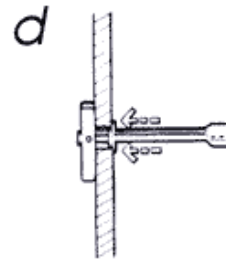
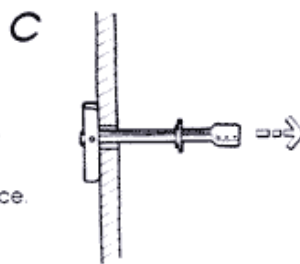
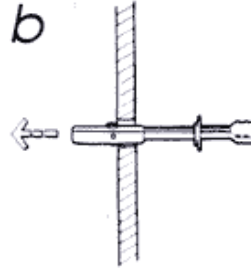
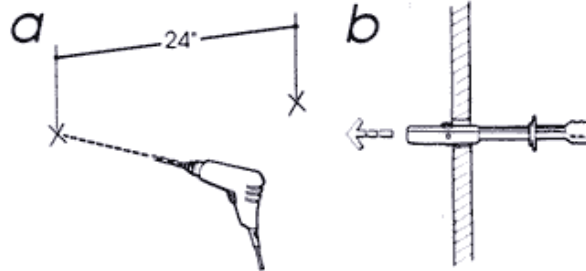
2i Installing Mounting Hardware And Rack Installation

- Wood screws are the preferred mounting hardware. One or both wood screws **must** be screwed into vertical studs inside the wall. Be sure that wood screws are 24" apart and horizontally level. For best results, pre-drill small pilot holes before installing wood screws.
- Align the holes on back of rack with pre-drilled pilot holes and insert screws. With a Phillips screwdriver tighten the screws **firmly** through the two holes located on the front of channel. This will lock the rack to the wall. After rack has been securely fastened, snap hole plugs in place.

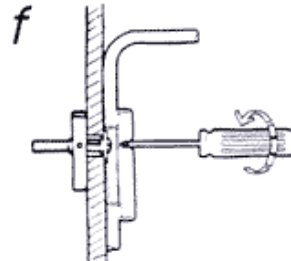
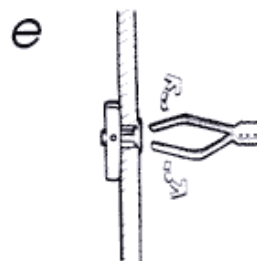


2ii If one or no studs can be located, then use the mounting toggles provided.

- Drill two 1/2" holes, as needed for toggle(s). Be sure that holes are 24" apart and horizontally level.
- Push toggle(s) through holes and grasp strap end firmly.
- Pull toggle(s) snugly against inside wall.
- Slide washer evenly along straps until washer is forced firmly against wall.
- Snap off plastic straps flush with washer.
- With rack in place, insert screws through holes and engage toggle threads. With a Phillips screwdriver tighten the screws **firmly** through the two holes located on the front of channel. This will lock the rack to the wall. After rack has been securely fastened, snap hole plugs in place.



***Important:** Weight limit not to exceed 80 lbs. per side.



3 Accessory Hooks

Accessory hooks are used for storage of helmets, packs, etc. and are locked into place under wire grid shelves.